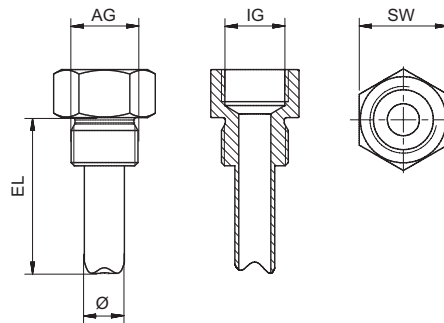


Pockets

Nr. 8

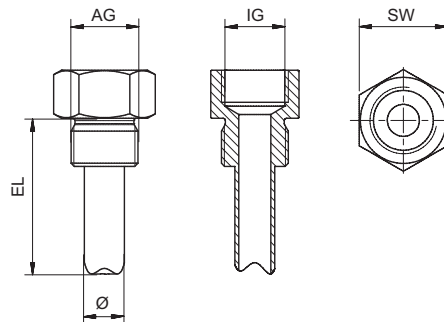


Pocket no. 8

- to be fitted with probe type no. 7c
- EL: chooseable
 - AG: chooseable
 - IG: M 10 x 1
 - SW: depends on AG
 - Ø: 10 mm

Made of brass or stainless steel

Nr.9



Pocket no. 9

- to be fitted with probe type no. 1 or 4
- EL: chooseable
 - AG: chooseable
 - IG: 3/8 BSP
 - SW: depending on AG
 - Ø: chooseable

Made of brass or stainless steel
 Customized solutions

